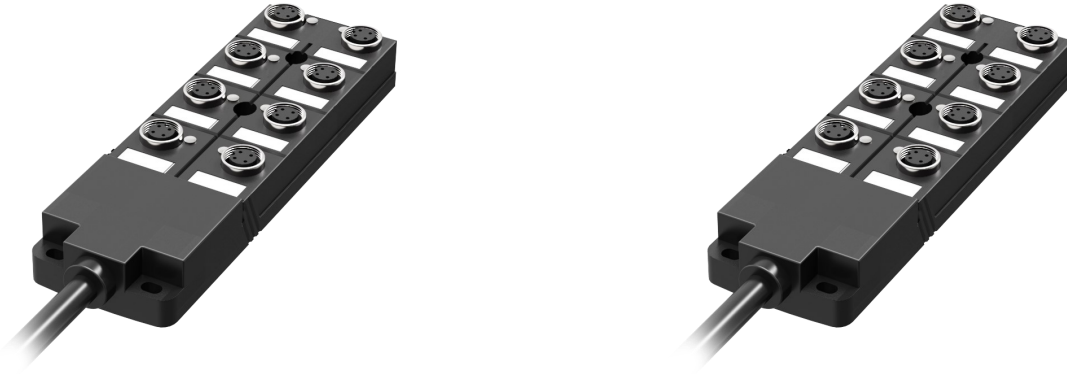


Distribution box **DB1208** series



Model specification

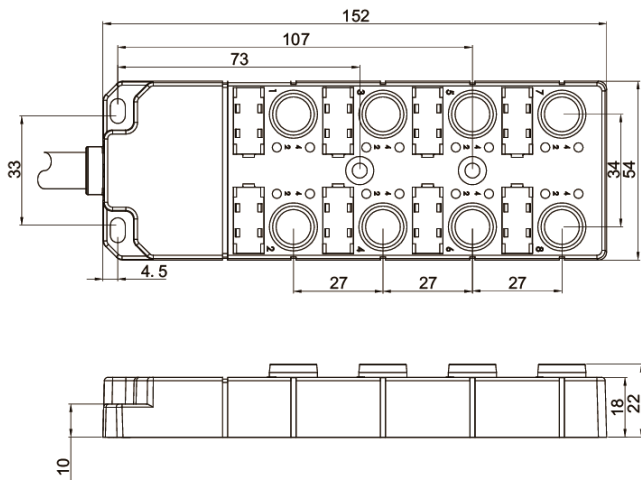
	DB120805-x-xxP		DB120805-x-xxN
--	----------------	--	----------------

Specifications

Supply voltage	10...30V	Connection method	Thread M12*1
Rated current	4A/Port,10A/Total	Interface material	Carobronze;Gold plated
Contact resistance	8MΩ MAX	Nuts	Brass;Brass
Temperature range	-20°C...80°C	O-ring	FKM/Good plated FKM
Output function	NO	Base/Plastic core	PA66+GF
Output type	PNP NPN	Potting material	Epoxy resin
Output indication	Yellow LED	Cable material	PVC
Connection Specification	M12 hole end 5-pin	Standard wiring	5m

*Cable material and length can be customized according to requirements

Dimension



Wiring diagram

